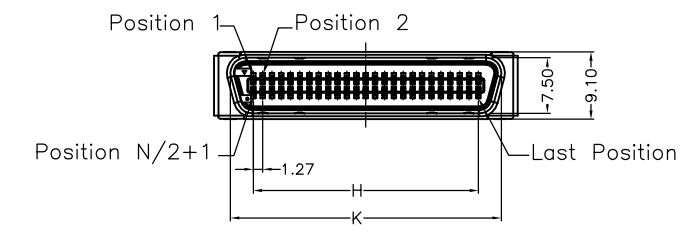
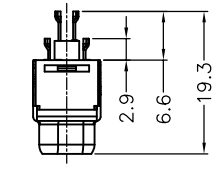
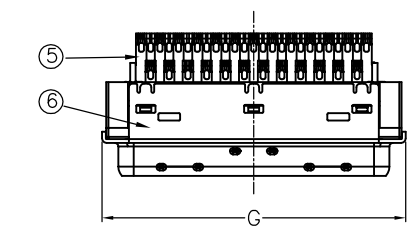
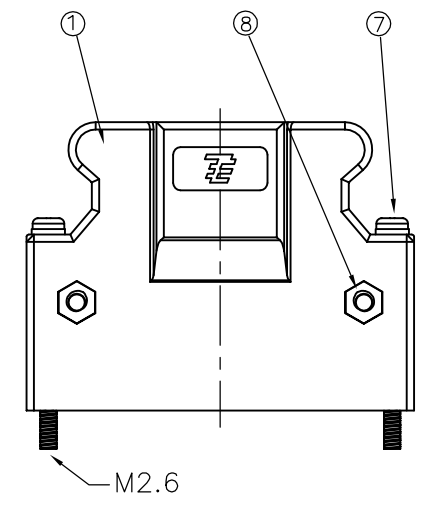
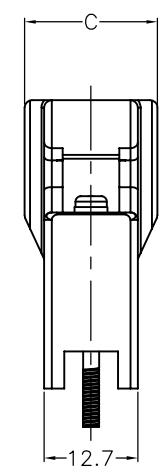
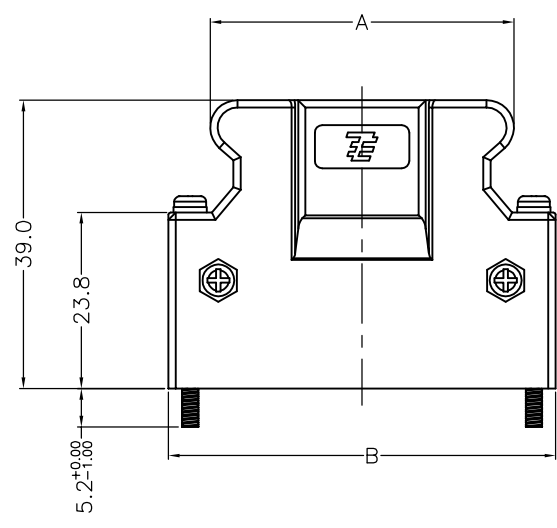
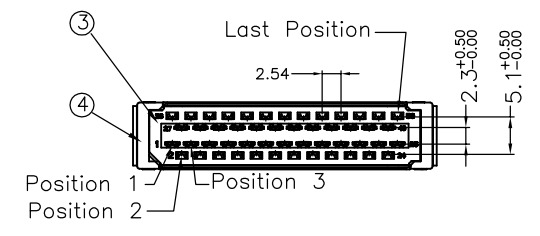
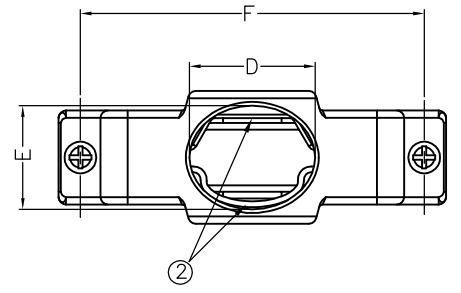


THIS DRAWING IS UNPUBLISHED. RELEASED FOR PUBLICATION
 © COPYRIGHT - By - ALL RIGHTS RESERVED.


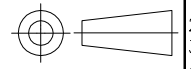
LOC	DIST	REVISIONS			
P	LTR	DESCRIPTION	DATE	DWN	APVD
	A	NEW RELEASE	30JUL2013	HW	XX
	A1	REVISED	13NOV2013	HW	XX

ITEM	PART NAME	Q'TY/EA	MATERIALS	NOTE
①	PLASTIC SHELL	2	ABS	
②	CLAMP	2	SPCC	NICKEL/TIN PLATING
③	COVER	1	PBT	UL 94V-0
④	HOUSING	1	PBT	UL 94V-0
⑤	CONTACT	PINS	COPPER ALLOY	GOLD/TIN PLATING
⑥	SHELL	1	SPCC	NICKEL PLATING
⑦	SCREW	2	SPCC	INCLUDE 2 SHIM
⑧	SCREW NUT	2	SPCC	



NOTE:
 1. MATERIAL:
 1.1 HOUSING:GLASS REINFORCED POLYESTER(PBT) UL94-V0,BLACK
 1.2 CONTACT:PHOSPHOR BRONZE
 1.3 SHROUD:SPCC
 2. FINISH
 2.1 CONTACT
 CONTACT AREA PLATED:GOLD 10U''[0.254um] OR 30U''[0.76um]
 SOLDER AREA PLATED:TIN 80U''[2um] MIN. LEAD FREE
 OVER NICKEL 50U''[1.27um] UNDER PLATING OVERALL
 ① 2.2 SHELL
 NICKEL 200U''[5.08um] MIN. OVER COPPER 200U''[5.08um] MIN.

36.66	30.48	41.1	46.5	14.0	17.0	18.0	52.4	41.1	50	30u''	5-2232346-2
36.66	30.48	41.1	46.5	14.0	17.0	18.0	52.4	41.1	50	10u''	5-2232346-1
27.77	21.59	32.2	37.6	14.0	17.0	18.0	43.5	32.2	36	30u''	4-2232346-2
27.77	21.59	32.2	37.6	14.0	17.0	18.0	43.5	32.2	36	10u''	4-2232346-1
21.42	15.24	25.9	31.3	10.0	12.0	14.0	37.2	25.9	26	30u''	3-2232346-2
21.42	15.24	25.9	31.3	10.0	12.0	14.0	37.2	25.9	26	10u''	3-2232346-1
17.61	11.43	22.1	27.5	10.0	12.0	14.0	33.4	22.1	20	30u''	2-2232346-2
17.61	11.43	22.1	27.5	10.0	12.0	14.0	33.4	22.1	20	10u''	2-2232346-1
13.80	7.62	18.2	23.6	7.0	8.5	12.7	29.5	18.2	14	30u''	1-2232346-2
13.80	7.62	18.2	23.6	7.0	8.5	12.7	29.5	18.2	14	10u''	1-2232346-1
DIM. K	DIM. H	DIM. G	DIM. F	DIM. E	DIM. D	DIM. C	DIM. B	DIM. A	NO. OF POS.	Au PLAT	TE NO.

THIS DRAWING IS A CONTROLLED DOCUMENT.		DWN	04JUL2013	 TE Connectivity	
		CHK	04JUL2013		
		APVD	04JUL2013		
		APVD	04JUL2013		
DIMENSIONS: mm		TOLERANCES UNLESS OTHERWISE SPECIFIED:		NAME	
		0 PLC ± 0.35		SCSI .05 PLUG	
		1 PLC ± 0.30		SCREW TYPE LOCK	
		2 PLC ± 0.25		-	
		3 PLC ± -		SIZE	
		4 PLC ± -		CAGE CODE	
		ANGLES ± 2		DRAWING NO	
MATERIAL		FINISH		RESTRICTED TO	
				-	
				A3 00779	
				C=2232346	
				SCALE 1:1	
				SHEET 1 of 2	
				REV A1	
				CUSTOMER DRAWING	

4

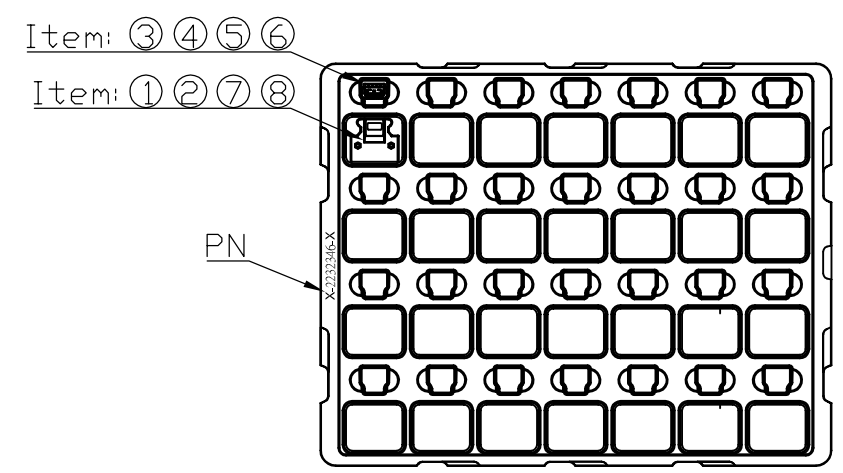
3

2

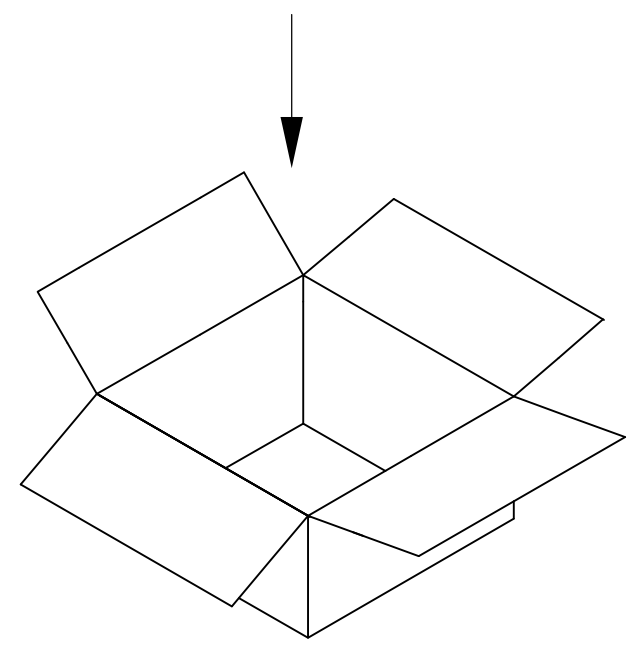
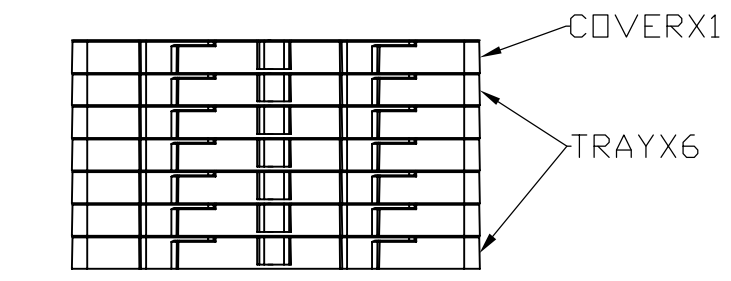
1

THIS DRAWING IS UNPUBLISHED. RELEASED FOR PUBLICATION
 © COPYRIGHT - By - ALL RIGHTS RESERVED.

LOC	DIST	REVISIONS					
		P	LTR	DESCRIPTION	DATE	DWN	APVD
-	-	-	-	SEE SHEET 1	-	-	-



TRAY:400X315X25



BOX:411X327X195

126	6	21	5-2232346-2
126	6	21	5-2232346-1
168	6	28	4-2232346-2
168	6	28	4-2232346-1
168	6	28	3-2232346-2
168	6	28	3-2232346-1
168	6	28	2-2232346-2
168	6	28	2-2232346-1
168	6	28	1-2232346-2
168	6	28	1-2232346-1
PCS/BOX	TRAY/BOX	PCS/TRAY	TE NO.

THIS DRAWING IS A CONTROLLED DOCUMENT.		DWN HAO WANG 04JUL2013	TE Connectivity	
		CHK KOBBY ZHAO 04JUL2013		
		APVD XIANG XU 04JUL2013	NAME	
DIMENSIONS: mm 		TOLERANCES UNLESS OTHERWISE SPECIFIED: 0 PLC ± 0.35 1 PLC ± 0.30 2 PLC ± 0.25 3 PLC ± - 4 PLC ± - ANGLES ± 2		PRODUCT SPEC 108-106126 APPLICATION SPEC -
MATERIAL		WEIGHT		RESTRICTED TO
		CUSTOMER DRAWING		SIZE A3 CAGE CODE 00779 DRAWING NO. C-2232346 SCALE 1:1 SHEET 2 OF 2 REV A1