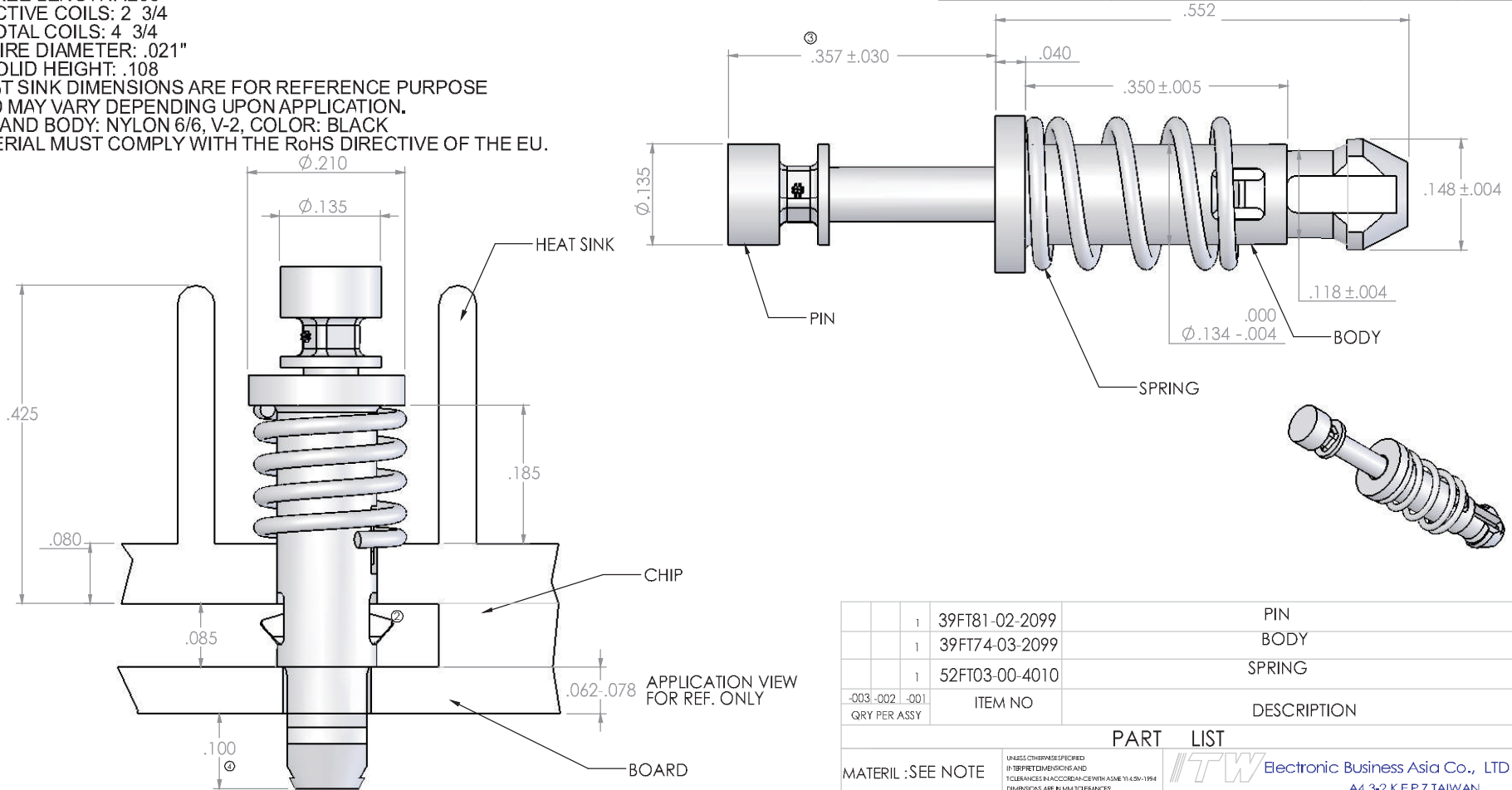


NOTES:

1. P.C. BOARD HOLE DIAMETER RANGE: .116(2.94) TO .135(3.43)
2. PIN AND BODY SHOWN IN ASSEMBLED CONDITION.
3. HEAT SINK HOLE DIAMETER: .135" +.003/-0.000
4. SPRING DETAILS:
 - MATERIAL: SUS 304 STAINLESS STEEL
 - SPRING RATE: 21.4 LBF / INCH Δ
 - FREE LENGTH: .268"
 - ACTIVE COILS: 2 3/4
 - TOTAL COILS: 4 3/4
 - WIRE DIAMETER: .021"
 - SOLID HEIGHT: .108
5. HEAT SINK DIMENSIONS ARE FOR REFERENCE PURPOSE AND MAY VARY DEPENDING UPON APPLICATION.
6. PIN AND BODY: NYLON 6/6, V-2, COLOR: BLACK
7. MATERIAL MUST COMPLY WITH THE RoHS DIRECTIVE OF THE EU.

REVISION HISTORY				
ZONE	REV	DESCRIPTION	DATE	APPROVED
	1	RELEASED For Production	11-27-06	Simeon
	2	Added Chip Seat Assembly Height	12-31-06	Simeon
	3	See ENC# 4838	02-14-07	Simeon
	4	Showing max. Assembled distance	07-21-07	Simeon
	5	Modify Spring Rate Was 21.4 LBS	11-22-10	Jason



QTY PER ASSY	ITEM NO	DESCRIPTION
1	39FT81-02-2099	PIN
1	39FT74-03-2099	BODY
1	52FT03-00-4010	SPRING

PART LIST	
MATERIAL : SEE NOTE	UNLESS OTHERWISE SPECIFIED IN TBPRINT DIMENSIONS AND TOLERANCES IN ACCORDANCE WITH ASME Y14.5-2001-1994 DIMENSIONS ARE IN MM TOLERANCES
FINISH : SEE NOTE	Dimension ± .010 Angle ± 2°
This print and any design thereon is the property of ITW-ASIA, Division Illinois Tool Works Inc. This print is to be returned upon request or completion of the work for which it was issued. It is to be used only for the purpose for which it was expressly loaned and is not to be copied in any manner, nor is information taken therefrom to be transmitted, or passed on to others without written permission of Illinois Tool Works Inc.	
NAME	Anta Heatsink clip
PART #	83FT02-03-9909
ISSUE	5

DRAWN BY	Simeon	DATE	Nov-27-2006
CHK BY	Winner	DATE	Nov-27-2006
APP BY	Tom	DATE	Nov-27-2006