

NOTES:

- P.C BOARD HOLE DIAMETER RANGE: .123"(3.12mm) TO .135"(3.43mm)
- PIN AND BODY SHOWN IN ASSEMBLED CONDITION.
- HEAT SINK HOLE DIAMETER: .147" +.003/-.000
- SPRING DETAILS:
 - MATERIAL: SUS304 STAINLESS STEEL
 - FREE LENGTH: .382"(9.7 Ref.)
 - INSIDE DIAMETER: .157"(4.)
 - TOTAL COILS: 4 1/4
 - ACTIVE COILS: 2 1/4
 - WIRE DIAMETER: .023"(0.6)
 - SPRING RATE: 21.4 Lbf/inch(384gm/mm)
- HEAT SINK DIMENSIONS ARE FOR REFERENCE PURPOSE AND MAY VARY DEPENDING UPON APPLICATION.
- PIN AND BODY MATERIAL: NYLON 6/6, V-2, COLOR: BLACK
- MATERIAL MUST COMPLY WITH THE RoHS DIRECTIVE OF THE EU

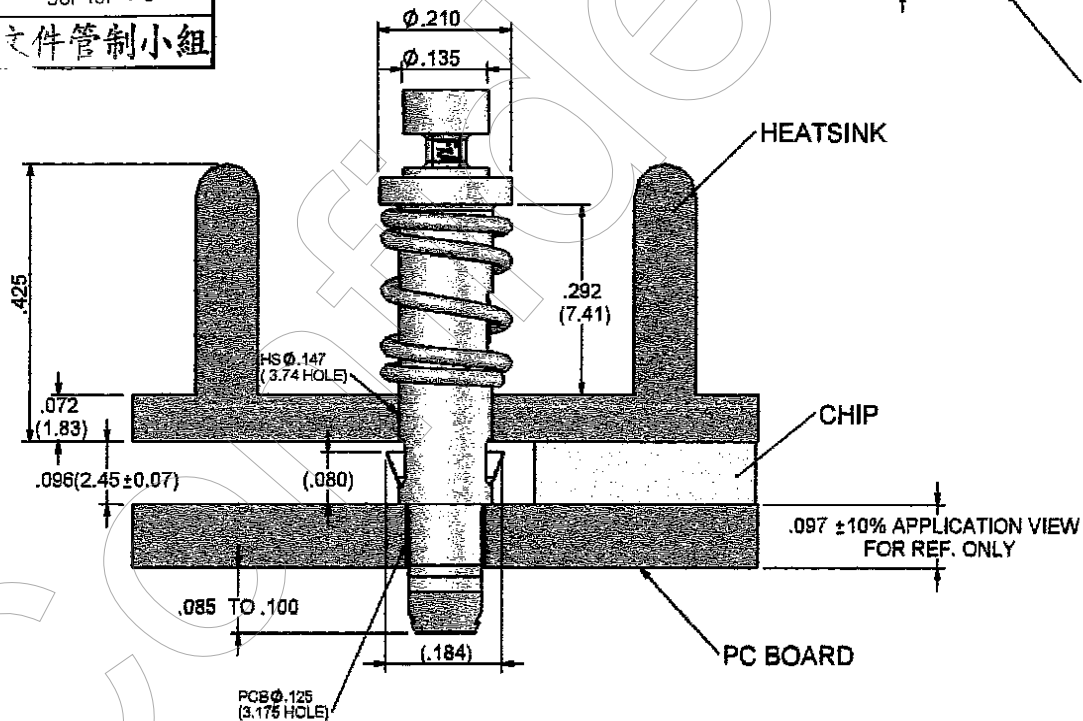
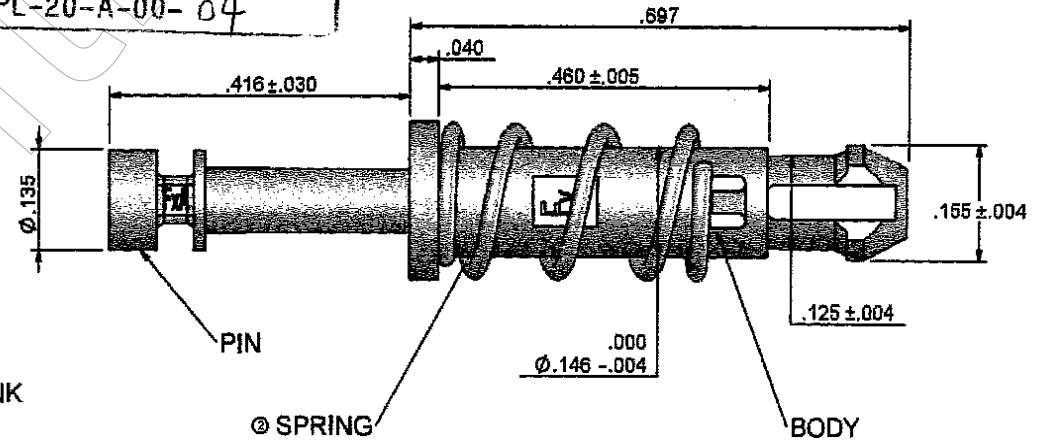
ITW Electronic Business Asia Co., Ltd.
 AN ILLINOIS TOOL WORKS COMPANY
安天德百電股份有限公司

作成: *Simeon* 審查: *James* 核准: *James* 日期: 10-15-'07

管制文件(C) / 非管制文件(U)
 表單編號 PL-20-A-00-04

REVISION HISTORY				
ZONE	REV	DESCRIPTION	DATE	APPROVED
	1	Released for productions	06-11-07	Simeon
	2	Increasing spring force	06-29-07	Simeon
	3	Revised Hole size for the board	07-12-07	Simeon

DCG NO. 4910
 96.10.15
 文件管制小組



ITEM NO	DESCRIPTION
1	52FT35-00-4010 SPRING
1	39FT84-00-2099 PIN
1	39FT78-00-2099 BODY

PART LIST	
MATERIAL: SEE NOTE	FINISH: SEE NOTE
ITW Electronic Business Asia Co., LTD A4 3-2 K.E.P.2 TAMAN 安天德百電股份有限公司	
NAME	Spring Load Fastener
PART #	83FT09-35-9909
ISSUE	3

DRAWN BY	Simeon	DATE	Jun-11-2007
CHK BY	Winner	DATE	Jun-11-2007
APP BY	Tom	DATE	Jun-11-2007