

# LGA 115x ILM

ITW EBA is very pleased to introduce to the Electronic industry Intel Independent Loading Mechanism (ILM) for Intel Socket H for both LGA 1155 & LGA 1156 (LGA115X). ILM provides the force needed to seat the 115x-LGA land package onto the socket contacts. The ILM is physically separate from the socket body. The assembly of the ILM to the board is expected to occur after wave solder. The exact assembly location is dependent on manufacturing preference and test flow.

## Key Features

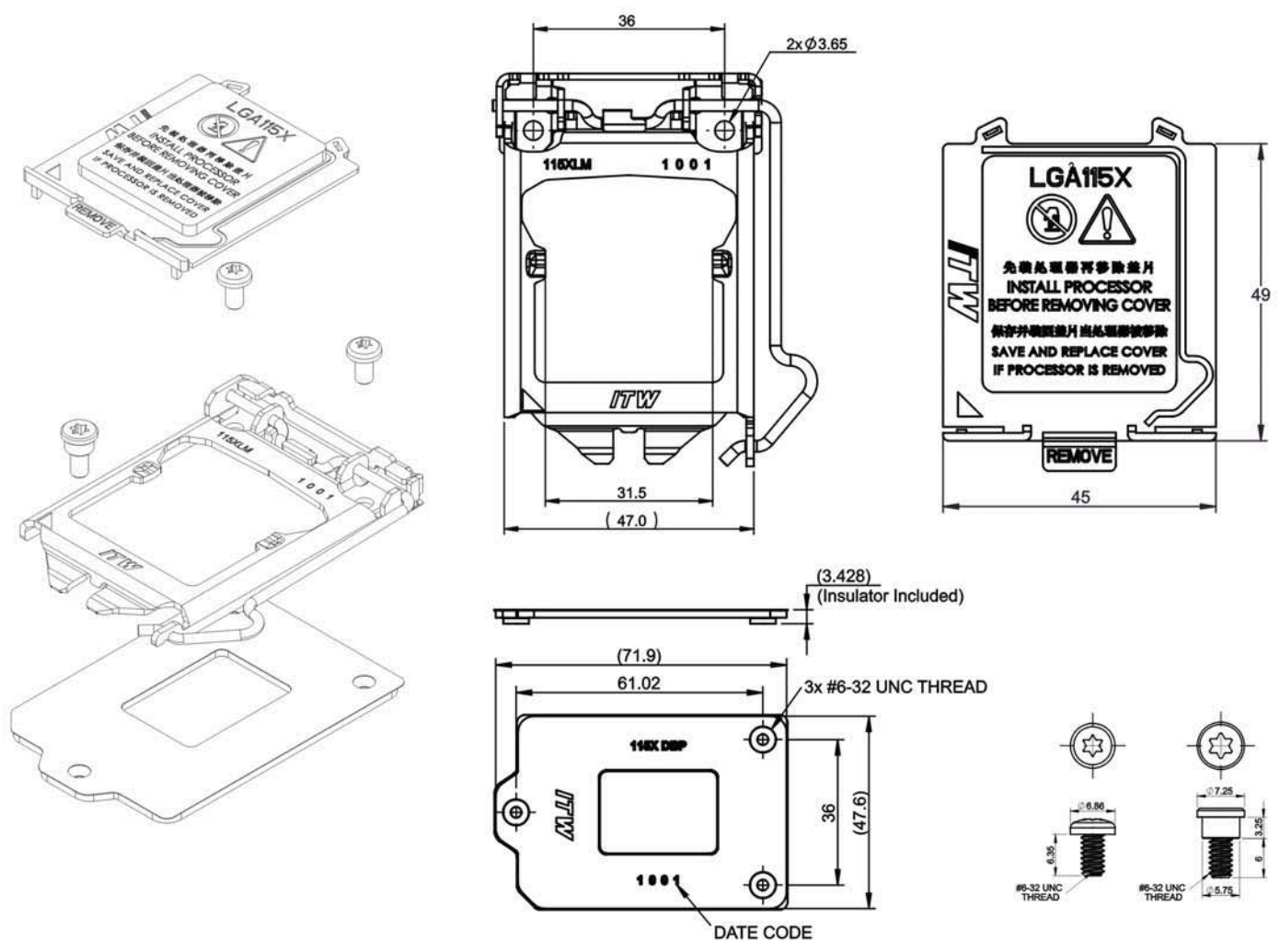
- Intel Approved
- Intel validated design for both LGA1155 and LGA 1156 Sockets
- Successfully Passed Intel Interchangeability test with sockets from various suppliers
- Successfully Passed all Intel ILM ergo requirements
- RoHS compliant

## Ordering Information

Intel Part Number	ITW Part Number	Description
E36142-002	FT1002-A-F	LGA 115x ILM Top Assembly with Cover
G11449-001	FT1002-A	LGA 115x ILM Top Assembly without Cover
G12451-001	FT1002-F	LGA 115x ILM Cover
E36143-002	FT1002-B-CD	LGA 115x ILM BP with Screws

ITW EBA

## Product Drawings



## Piece Parts Materials

Piece Parts	Material	Surface Finishing / Plating
Load Plate	SUS430	N/A
Load Lever	SUS304	N/A
Cover	PC+ 20% GF, UL-94V0 or VTM-0	N/A
Back Plate	S50C	Ni plating
Shoulder Screw	carbon steel	Ni plating
Screw	carbon steel	Ni plating

## About ITW

ITW is a diversified manufacturing company with nearly 100 years of history delivering specialized expertise, innovative thinking and value-added products to meet critical customer needs in a variety of industries.

**ITW Electronic Business Asia** a leading manufacturer of ITW Fastex, ITW Switches and custom solutions for 40 years, with a coordination of ITW corporation's resources, with the skills and ingenuity of our engineers, ITW EBA provides customers with the ITW advantage.