

A

B

C

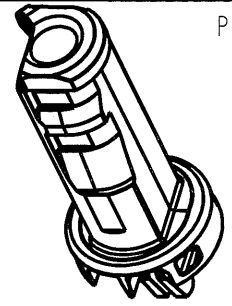
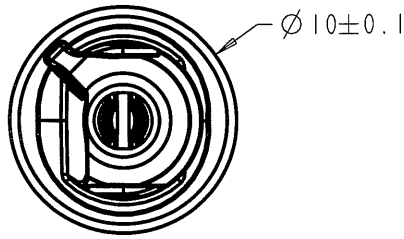
D

E

F

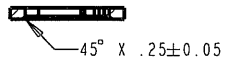
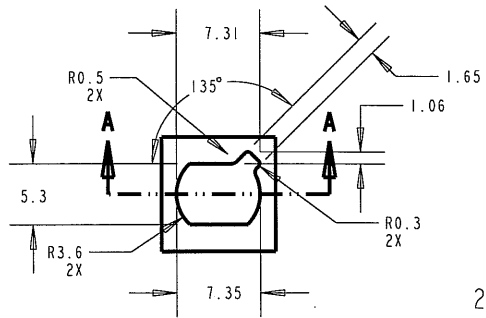
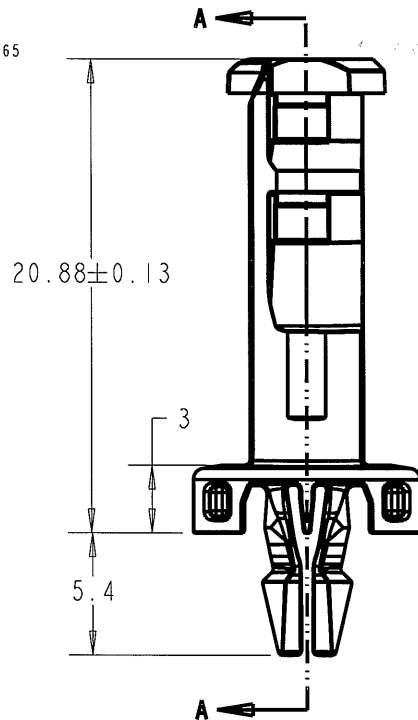
NOTES:

- PART MATES WITH PRESCOTT FMB2 FASTENER CAP Fx PART: 3999
- P.C. BORD HOLE DIAMETER OF 4.03 ± 0.05 MM.
- P.C. BORD THICKNESS 1.57MM.
- RECOMMENDED CUT OUT SIZE ON 1.6 ± 0.02 MM THICK BRACKET:

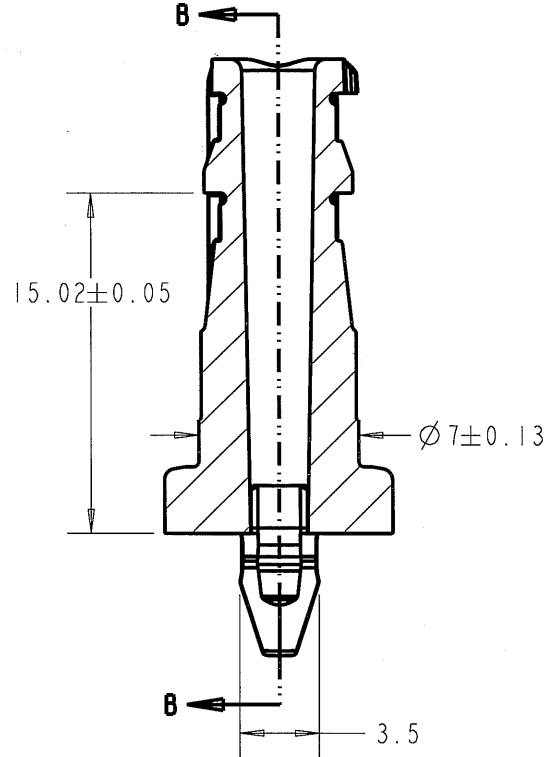


PRO/E

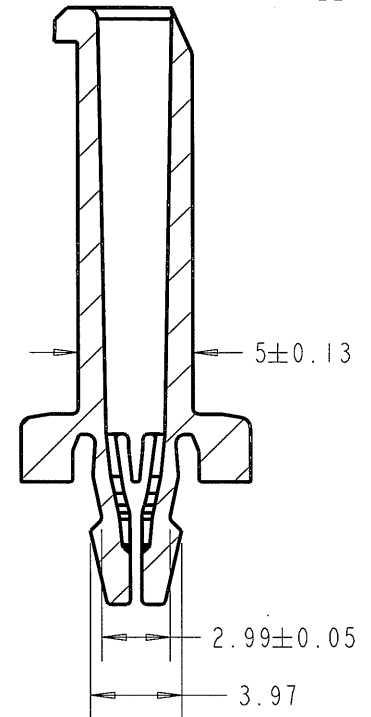
SCALE 2.000

TOL. FOR BRACKET: ± 0.1 MMSECTION A-A
SCALE 1.500

SCALE 3.000



SECTION A-A



SECTION B-B

3	6229	RELEASED	CW	7-7-05
2		RELEASED		
1		RELEASED		

NO.	ECN#	REVISION	APPROVAL	DATE
		DRAWN BY CHONG	DATE	8-25-03
		CHK BY CHONG	DATE	8-25-03
		APP BY CHONG	DATE	8-25-03

MATERIAL	Lexan 945 PC or Equivalent Natural End Code: 5541
----------	---

HARDNESS	N/A	FINISH	N/A
----------	-----	--------	-----

TOLERANCE UNLESS OTHERWISE INDICATED

DECIMAL ± 0.1 ANGULAR 1°

ENGINEER CHONG

SCALE SEE ABOVE.

This print and any design thereon is the property of FASTEX, Division Illinois Tool Works Inc. This print is to be returned upon request or completion of the work for which it was issued. It is to be used only for the purpose for which it was expressly loaned and is not to be copied in any manner, nor is information taken therefrom to be transmitted, or passed on to others without written permission of Illinois Tool Works Inc.

ITW Fastex®

195 Algonquin Rd. Des Plaines, IL 60016

NAME Prescott FMB2 Fastener Base

FTA# N/A

PROJ# N/A

PART# 3998-02-5541

ISSUE
3