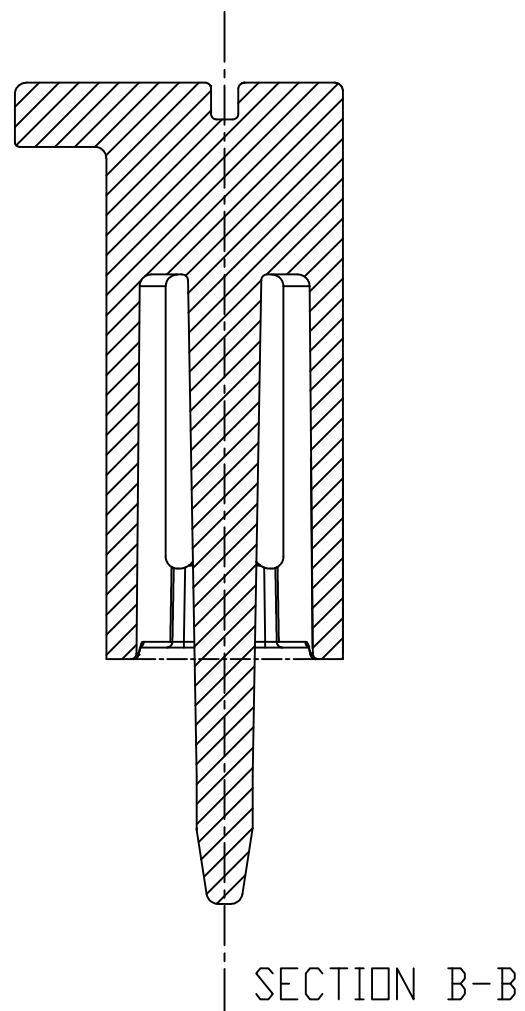
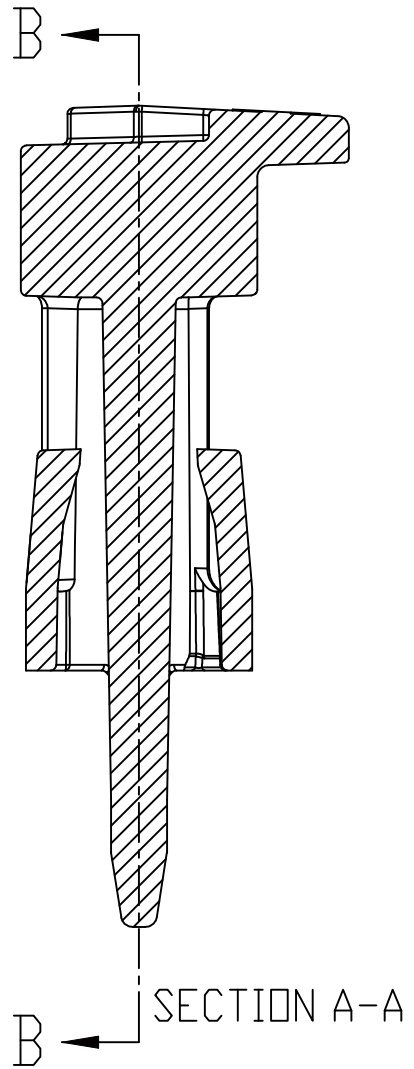
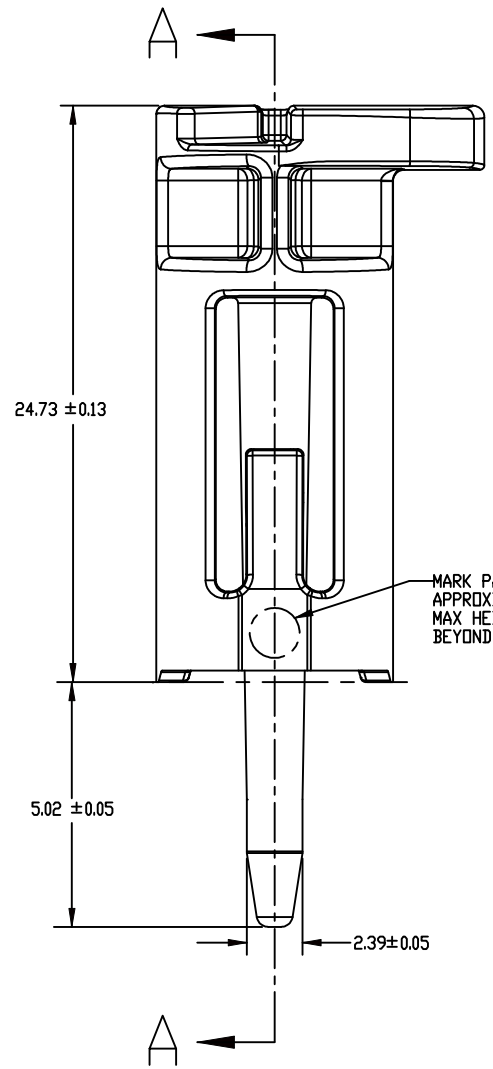
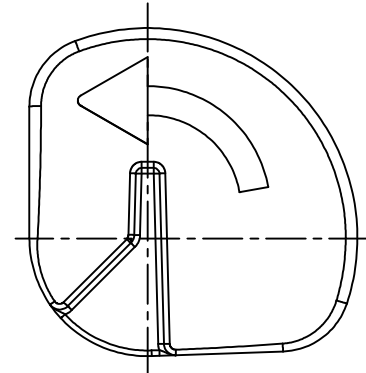
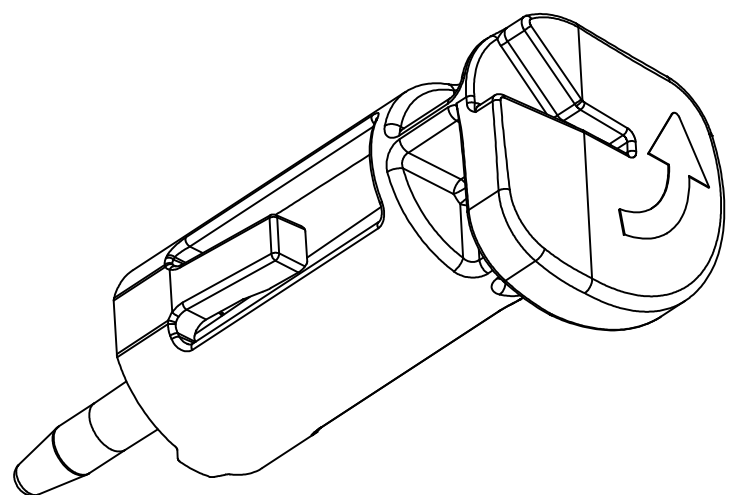


REV	DESCRIPTION	DATE	APPROVED
01	RELEASE FOR PRODUCTION	Mar-04-2009	Isaac



NOTES:

- PART MATES WITH PRESCOTT FMB2 FASTENER BASE Fx PART #3998.
- P.C. BOARD HOLE DIMETER OF 4.03±0.05MM
- P.C. BOARD THICKNESS 1.57MM.
- RECOMMEND CUT OUT SIZE ON 1.6±0.02MM THICK BACKET:
- MATERIL: LEXAN 3412R 20% GLASS FILLED POLYCARBONATE OR EQUIVALENT, COLOR : BLACK, END CODE :5550



FEATURE SIZE >	FEATURE SIZE <=	TOLERANCE +/-
0	10MM(.394)	.05MM(.002)
10MM(.394)	25MM(.983)	.08MM(.003)
25MM(.984)	50MM(1.969)	.10MM(.004)

MATERIL :	SEE NOTE	UNLESS OTHERWISE SPECIFIED INTERPRET DIMENSIONS AND TOLERANCES IN ACCORDANCE WITH ASME Y14.5M-1994 DIMENSIONS ARE IN MM TOLERANCES:
PROJECT NO#:	N/A	.X ± 1.0 .XX ± 0.25 .XXX ± 0.125
		Angles ± 0.5°



DRAWN BY	Isaac	DATE	Mar-04-2009
CHK BY	Marvin	DATE	Mar-04-2009
APP BY	Perry	DATE	Mar-04-2009

This print and any design thereon is the property of ITW-ASIA, Division Illinois Tool Works Inc. This print is to be returned upon request or completion of the work for which it was issued. It is to be used only for the purpose for which it was expressly loaned and is not to be copied in any manner, nor is information taken therefrom to be transmitted, or passed on to others without written permission of Illinois Tool Works Inc.

NAME :	RCBF4 "HALOGEN FREE" FASTENER CAP	
PART NO# :	3999-00-5550	Rev 1

This document is the intellectual property of ITW Electronic Business Asia Co., Limited and may contain confidential, proprietary, privileged information protected by law. Neither this document nor any information it contains can be reproduced, transformed to any other format, or distributed, without written permission by ITW Electronic Business Asia Co., Limited.  
 本文件為安天德百電股份有限公司之智慧財產，非經許可不得擷取、複製、轉變成其他形式使用或散佈