

Series 88/89

BACK-MOUNTING MINIATURE PUSHBUTTON

This rugged multi-option pushbutton series offers the utmost in choices of mounting styles, colors, terminations, lighting and momentary switching. The Series 89 offers all these options in one compact package size.

APPLICATIONS:

- Office equipment
- Medical equipment
- Industrial machinery
- Outdoor controls
- Mass transportation
- Food processing equipment

KEY FEATURES:

- Momentary action
- Many button colors
- Choice of LED colors (or non-lighted versions)
- Solder, PC terminals or Wireleads



ORDERING INFORMATION:

Series:	Body Type:	Module Type:	Switch Function:	Switch Termination:	Button Material:	Button Style:	LED Color:	Voltage Resistor:
Blank Gold Contact	88 Short Body Type	1	Momentary	Solder	1 Zinc Alloy, Velour	0 Non-lit	N None*	If Blank*
S Silver Contact			Momentary	PC	Chrome, Plated	1 Center Spot	G Green	05 5V
			Momentary	Wirelead	Mirror Black	2 Ring Illumination	R Red	Forward
	89 Long Body Type	A	Momentary	Solder	2 Zinc Alloy, Matt Black	3 Standby / Power	A Amber	12 12V
			Maintained	Solder	3 Zinc Alloy, Natural		B Blue	Forward
			Momentary	PC	4 Stainless Steel		W White	24 24V
			Maintained	PC			Y Yellow	Forward
			Momentary	Wirelead			RB Red / Blue	
			Maintained	Wirelead			RG Red / Green	

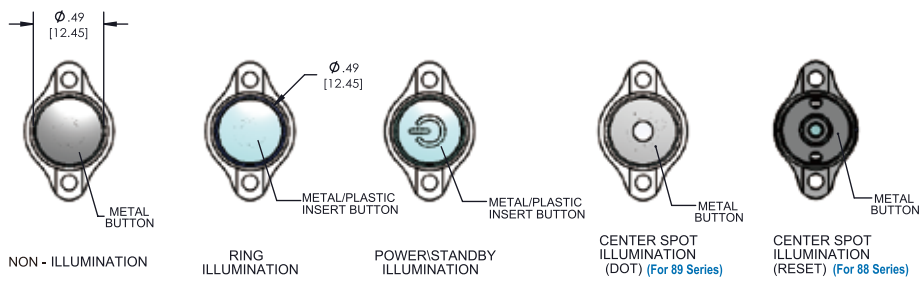
* Current limiting resistor is required to limit LED forward current to 20 mA (not included).

STANDARDS / AGENCY / RATINGS:

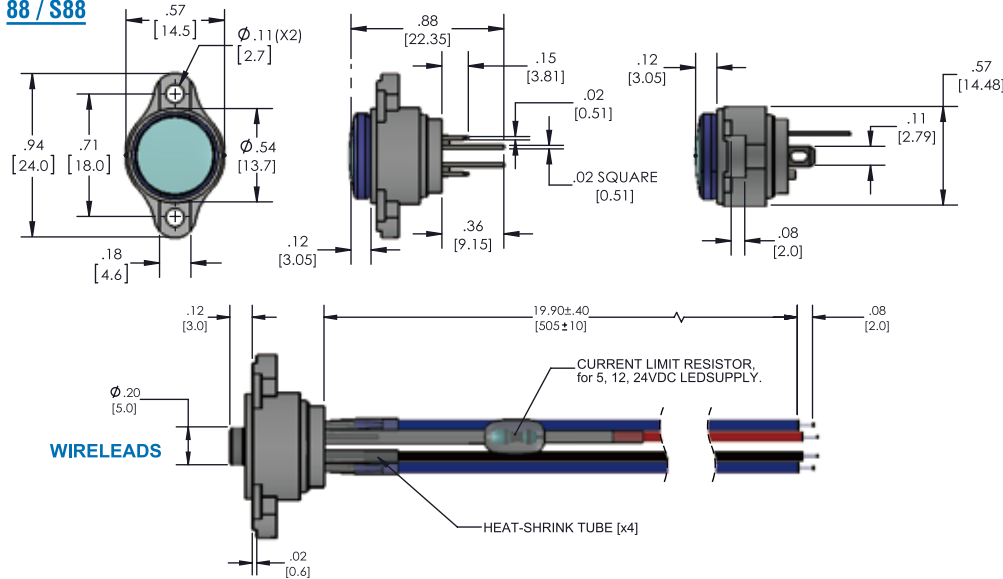


SERIES 88/89: BACK-MOUNTING MINIATURE PUSHBUTTON

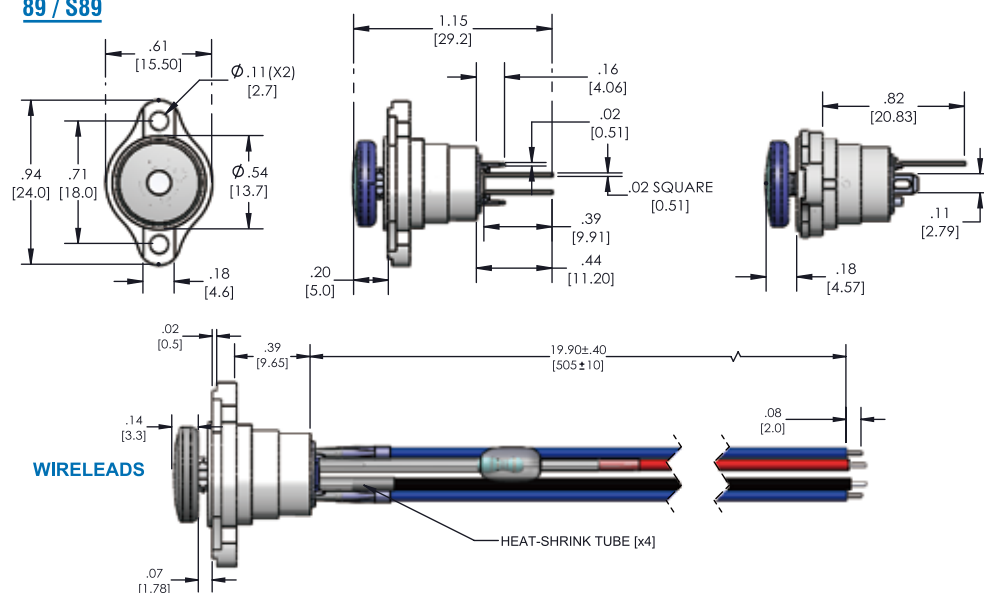
PRODUCT DRAWINGS



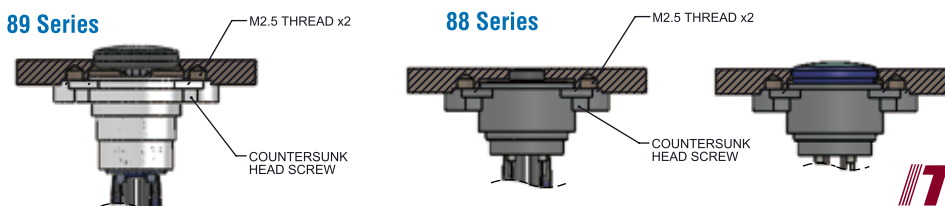
88 / S88



89 / S89



APPLICATION EXAMPLE



MECHANICAL CHARACTERISTICS

CIRCUIT:

SPST-NO-DB (FORM X)

OPERATING FORCE (NOM):

[3N] 306g

CONTACT BOUNCE (NOM):

1 ms

ENVIRONMENTAL SPECIFICATIONS

OPERATING TEMPERATURE:

88/S88

[-20°C to +55°C] -4°F to +131°F

89/S89 (Non-Illumination Type)

[-40°C to +85°C] -40°F to +185°F

89/S89 (Illumination Type)

[-25°C to +85°C] -13°F to +185°F

ELECTRICAL SPECIFICATIONS

CURRENT RATING (resistive):

88

10mA @ 12VDC, 1000K CYCLES NOMINAL

S88

10mA @ 12VDC, 200K CYCLES NOMINAL

89

10mA @ 12VDC, 1000K CYCLES NOMINAL

S89

10mA @ 12VDC, 200K CYCLES NOMINAL

DIELECTRIC STRENGTH:

1,000 VAC

INSULATION RESISTANCE:

1G OHM

CONTACT RESISTANCE:

50m OHMS

WIRE LEADS:

UL STYLE 1007

26 AWG, STRANDED