

19MM PANEL SEALED 5 AMP PUSHBUTTON SWITCHES

The ITW SA48M series pushbutton built on the proven series SA48 platform these rugged switches come in stainless steel or Zinc alloy chrome plated housing with either momentary or maintained action and lighted or unlighted versions. These 5 AMP sealed switches have a positive snap action feel. They are ideal for rugged applications that good looks and long life.

Series SA48M



KEY FEATURES:

| | |
|-----------------------|---------------------------------|
| Size | 19mm |
| Current Rating | 5A @ 28VDC |
| Mechanical Life | 25k Cycle Nominal |
| Operating Temperature | -40° to +185°F [-40° to +85°C] |
| Circuitry | 1NO/1NC |
| Ingress Protection | IP67 (Front Panel) |
| Standards | UL 61058 |
| Housing Material | Stainless / Zinc Alloy |
| Snap Action | Momentary / Maintained |
| Illumination | Green/ Red/ Blue/ White/ Yellow |

APPLICATIONS

- Outdoor Controls
- Medical Equipment
- Industrial Machinery
- Security Equipment
- Food Processing Equipment
- Office Equipment
- Kiosks

ORDERING INFORMATION:

Switch Function:

- 1** Momentary, Solder Terminal
- A** Momentary, NO Wireleads
- C** Momentary, NC Wireleads
- E** Momentary, NO/NC Wireleads
- 2** Maintained, Solder Terminal
- B** Maintained, NO Wireleads
- D** Maintained, NC Wireleads
- F** Maintained, NO/NC Wireleads

Housing Material:

- 1** Stainless Steel
- 2** Zinc Alloy, Chrome Plated

Illumination:

- 0** Non-Illumination
- 1** Center Spot Illumination
- 2** Ring Illumination
- 3** Power/ Standby Illumination

LED Color:

- N** None
- G** Green
- R** Red
- B** Blue
- W** White
- Y** Yellow

Voltage Resistor:

- If Blank*
- 05** 5V Forward
- 12** 12V Forward**
- 24** 24V Forward**

Special Request:

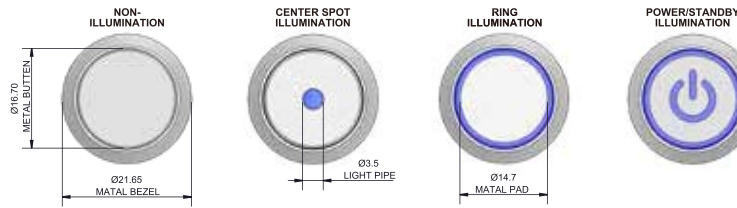
- If Blank N/A
- xxx** Customer Special Request

SA48M - - - - - -

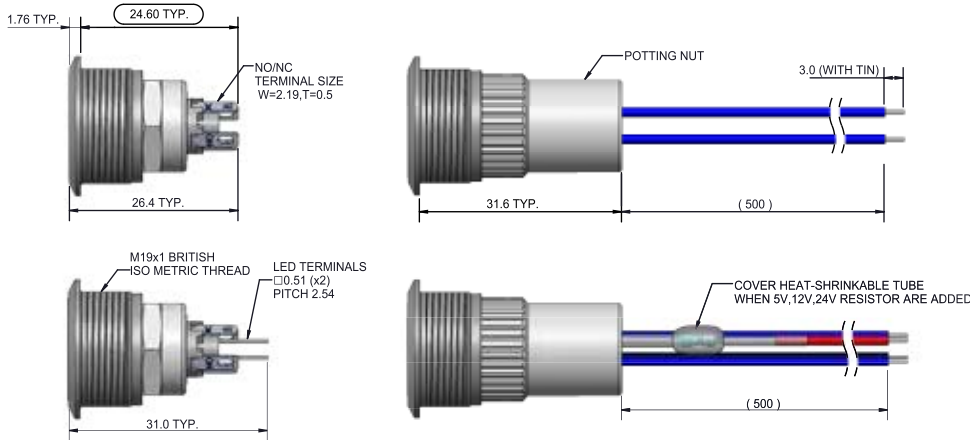
* Current limiting resistor is required to limit LED forward current to 20mA.(not included)
 ** 12 and 24V resistors are available with wirelead versions only.

SERIES SA48M: 19MM SEALED 5 AMP PUSHBUTTON SWITCHES

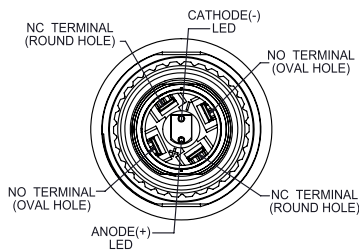
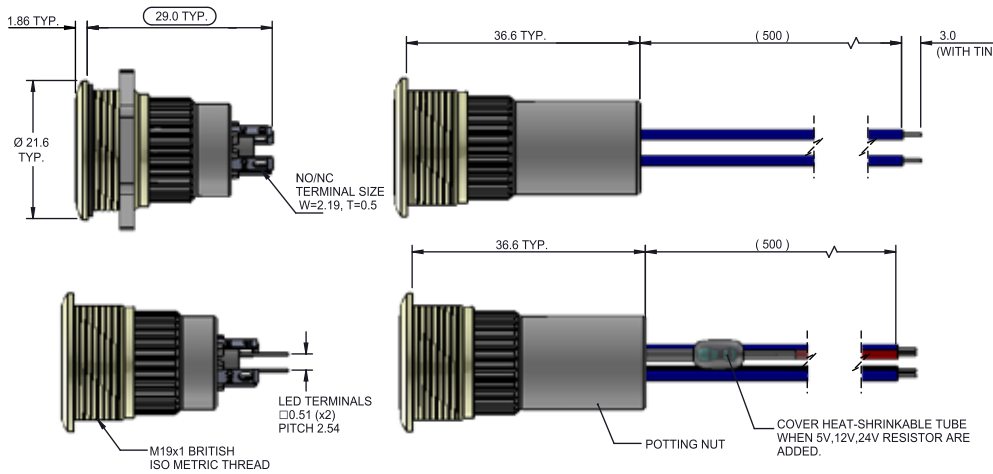
PRODUCT DRAWINGS



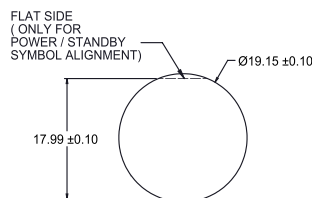
MOMENTARY TYPE



MAINTAINED TYPE



DETAIL FOR TERMINAL POSITION



RECOMMENDED PANEL CUT-OUT

MECHANICAL / ELECTRICAL CHARACTERISTICS:

Circuit:

SPDT-DB (Form X)

Pretravel (Nominal):
0.050 inches [1.27mm]

Overtravel (Nominal):
0.010 inches [0.25mm]

Total Travel (Nominal):
0.060 inches [1.52mm]

Operating Force (Nominal):
5.15N [525g]

Release Force (Nominal):
3.45N [340g]

Panel Thickness:
0.020" - 0.177" [0.5 - 4.5mm]

Contacts:
Silver

Nut Torque Force:
Max 10 lb-in [11.5 kgf-cm]

Actuator Ingress Protection:
IP67 (Front Panel)

Operating Temperature:
-40° to +185°F [-40° to +85°C]

Current Ratings (Nominal):
5A@ 28 VDC

ELECTRO-MECHANICAL:

Dielectric Strength:
1,000 VAC

Insulation Resistance:
1GΩ

Contact Resistance:
Max 50mΩ (Non-Wirelead)
Max 250mΩ (Wirelead)

| LED CODE | LED COLOR | CIRCUITRY | V _f (VDC) | I _f (mA) |
|----------|-----------|-----------|----------------------|---------------------|
| R | RED | | 1.8-2.5 | 20 |
| B | BLUE | | 2.8-3.5 | 20 |
| G | GREEN | | 2.8-3.5 | 20 |
| Y | YELLOW | | 1.8-2.5 | 20 |
| W | WHITE | | 2.8-3.5 | 20 |

Notes:

- Lead Soldering Temperature (4mm above from body): 280°C for 5 seconds
- Hand Soldering Temperature (4mm above from body): 320°C for 3 seconds

| WIRELEADS TYPE | WIRELEADS SPECIFICATION | SW TERMINAL | | LED | |
|------------------|-------------------------|-------------|--------|-----|-------|
| | | NO | NC | + | - |
| ILLUMINATION | AWG24 / UL1007 | BLUE | YELLOW | RED | BLACK |
| NON-ILLUMINATION | | BLUE | YELLOW | - | - |

TW Switches
SENSORS, SWITCHES, ELECTRONIC CONTROLS

Designs and specifications are subject to change without notice due to product improvement.

800.544.3354