

Series 58M-EM

FULLY SEALED METAL PUSHBUTTON WITH WIRE LEADS

Built on the proven series 48 platform these rugged switches come in stainless steel or aluminum housings, electro-mechanical with either momentary or maintained action and lighted or unlighted versions. The variety of options in this compact package size make the 58M ideal for many applications: transportation, outdoor controls, security products, food processing and medical products.



ACTUAL SIZE

APPLICATIONS

- Outdoor Controls
- Kiosks
- Security Equipment
- Medical Equipment
- Food Processing Equipment
- Military Equipment
- Industrial Machinery
- Transportation: Mass-Transit, Lift Trucks

KEY FEATURES:

- Momentary or Maintained Action
- Stainless Steel or Aluminum Housing
- Non Lit or Ring Illumination
- Variety of LED colors
- Electro-Mechanical
- Panel Sealed to IP67
- ROHS Compliant
- Gold Plated Contacts

ORDERING INFORMATION:

Series:	Switch Function:	Housing Material:	Button Style:	LED Color:	Voltage Resistor:
BLANK Gold Contact IP67	A Mechanical, Momentary, Wire Leads	1 Stainless Steel	0 Non-lit	N None	If Blank*
G Silver Contact IP67/2A	B Mechanical, Maintained, Wire Leads	2 Aluminum	2 Ring Illumination	G Green	05 5V Forward
C Silver Contact Screw Terminal IP67	1 Mechanical, Momentary, Non-LED / LED Wire Leads		3 Standby Logo Illumination	R Red	12 12V Forward
	2 Mechanical, Maintained, Non LED / LED Wire Leads		R Red, Non-lit	B Blue	24 24V Forward
	E Mechanical, Momentary, LED Terminal			W White	
	F Mechanical, Maintained, LED Terminal			RB Red / Blue	
SA Silver Contact IP67/5A	1 Mechanical, Momentary, Solder Terminal			RG Red / Green	
				BG Blue / Green	

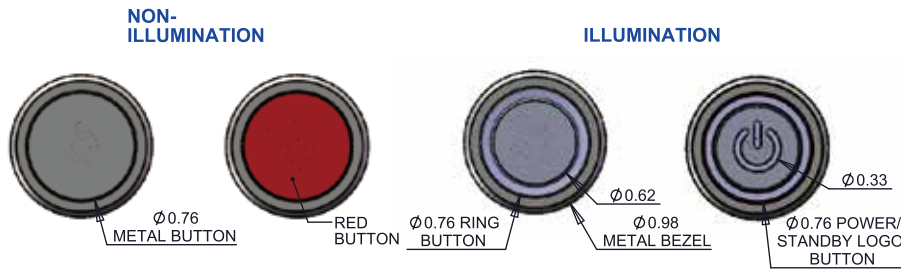
* Current limiting resistor is required to limit LED forward current to 20 mA (not included).

STANDARDS / AGENCY / RATINGS:

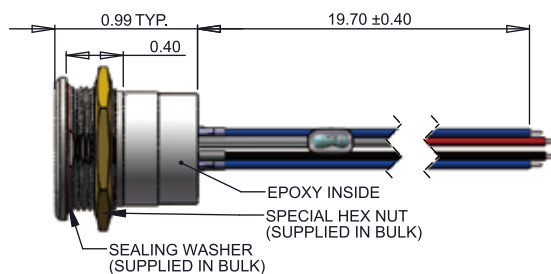


SERIES 58M: FULLY SEALED METAL PUSHBUTTON

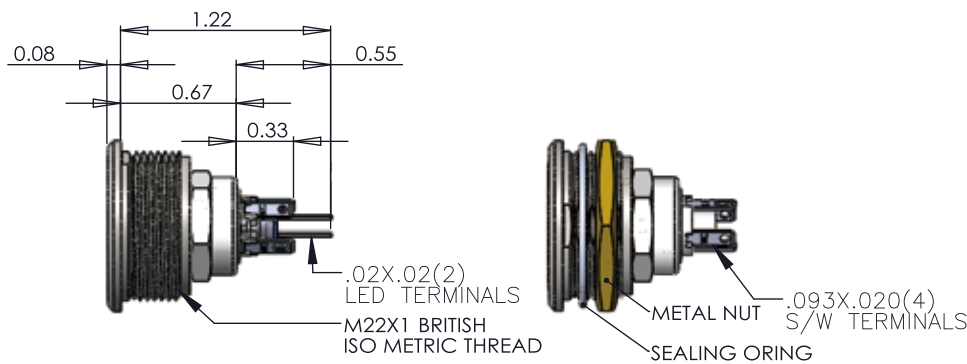
PRODUCT DRAWINGS



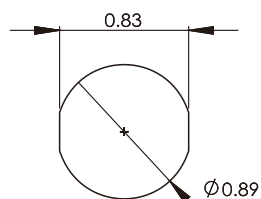
58M / G58M



SA58M



RECOMMENDED PANEL CUTOUT



WIRELEADS DESCRIPTION

WIRELEADS TYPE	WIRELEADS SPECIFICATION	SW TERMINAL		LED	
		I	O	+	-
ILLUMINATION	AWG26/UL1007	BLUE	BLUE	RED	BLACK
NON-ILLUMINATION		BLUE	BLUE	--	--

PANEL MOUNTING AND CONSTRUCTION INFORMATION

The series 58M mounts easily into panels of minimum 0.50" (1.3 mm) and maximum 0.150" (3.8 mm) thickness. Front panel sealing to IP67 is achieved by a sealing o-ring fitted to the body of the switch before it is inserted into the panel hole cut-out. It is held onto the panel by means of a metal hex nut tightened down to a torque of 10 inch pounds to achieve the correct sealing pressure.

Designs and specifications are subject to change without notice due to product improvement.

MECHANICAL / ELECTRICAL CHARACTERISTICS:

Circuit:

SPST-NO-DB (Form X)

Button travel (nominal):

0.09 inches / 2.3 mm

Operating force (nominal):

3N / 306 grams

Contact bounce (nominal):

1 millisecond

Panel thickness:

0.50" – 0.150" (1.3 – 3.8mm)

Temperature index:

-40°C to +85°C

Torque (max):

10 inch pounds

LED operating temperature:

-13° F to +185° F / -25° C to +85° C

Current ratings (resistive):

58M (Momentary)

250mA @ 12VDC, 100K cycles

150mA @ 28VDC, 150K cycles

100mA @ 48VDC, 100K cycles

10mA @ 12VDC, 1 million cycles

58M (Maintained)

50,000 Cycles Nominal

S58M / C58M (Momentary)

10mA @ 12VDC, 200K Cycles

S58M / C58M (Maintained)

20K Cycles Nominal

G58M (Momentary)

2A @ 24VDC, 40K Cycles

1A @ 250VAC, 40K Cycles

G58M (Maintained)

2A @ 24VDC, 20K Cycles

1A @ 250VAC, 20K Cycles

SA58M (Momentary)

5A @ 28VDC, 125/250 VAC 25K Cycles Nominal

ELECTRICAL SPECIFICATIONS

Dielectric strength:

1,000 VAC

Insulation resistance:

1 GΩ

Contact resistance:

50 mΩ max (initial)